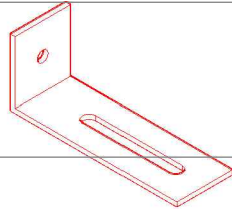

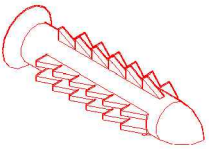





JULIAN CHICHESTER DESIGNS

ASSEMBLY INSTRUCTIONS

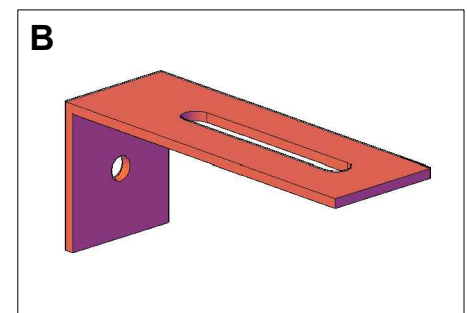
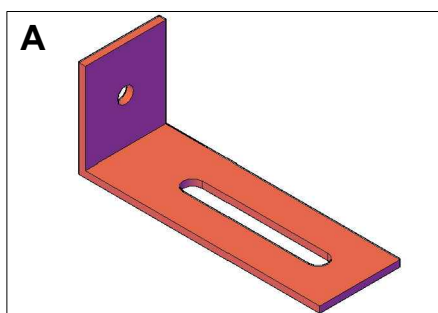
We strongly recommend that for safety, the brackets provided are used to secure the top of the cabinet to an adjacent wall. This should be done with two or more adults due to the size and weight of the cabinet.

Each cabinet comes with:

Part		Quantity	Part		Quantity
A		[2]	D	 Ø6	[2]
B	 Ø8	[2]	E	 Ø6	[2]
C	 M4x40mm	[2]	F	 M4x20mm	[2]

The brackets can be fitted in two ways.

* **A** is easier to fit but **B** will be less visible.



FITTING INSTRUCTIONS

With the brackets attached to the cabinet following A or B, position the cabinet where it will finally stand and mark where the holes for the wall plugs (**B**) will be. Drill two 8mm diameter holes in the wall and insert the wall plugs. Detach the brackets from the cabinet and screw them to wall using screw (**C**). Position the cabinet with the wall brackets then attach the brackets using washers (**D**), (**E**) and screw (**F**).

